

Precision Check Weighers

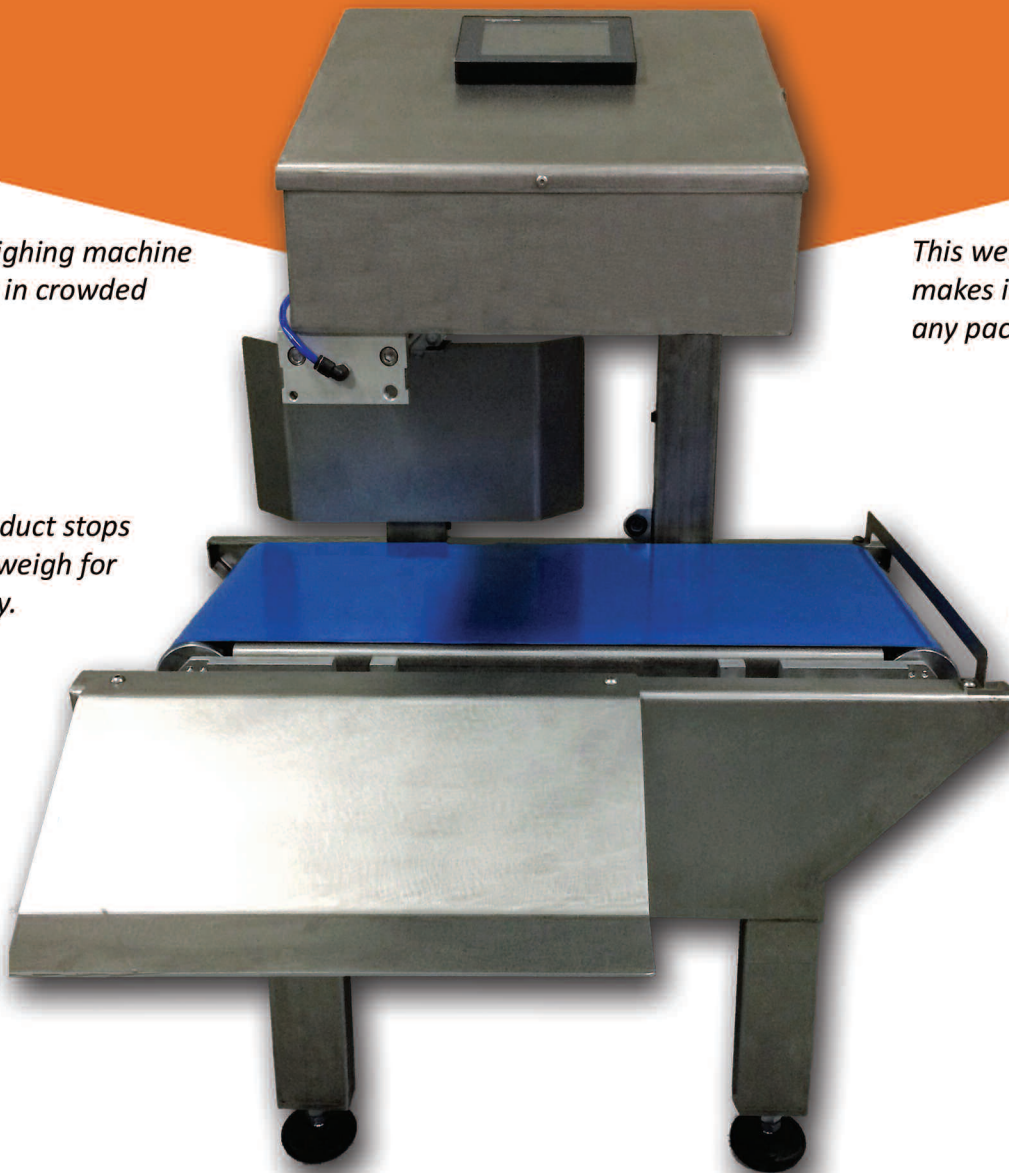
CW-1 Single Belt

This one belt weighing machine is designed to fit in crowded packing sheds.

Each bagged product stops momentarily, to weigh for pinpoint accuracy.

This weigher's small stature makes it perfect for almost any packaging line.

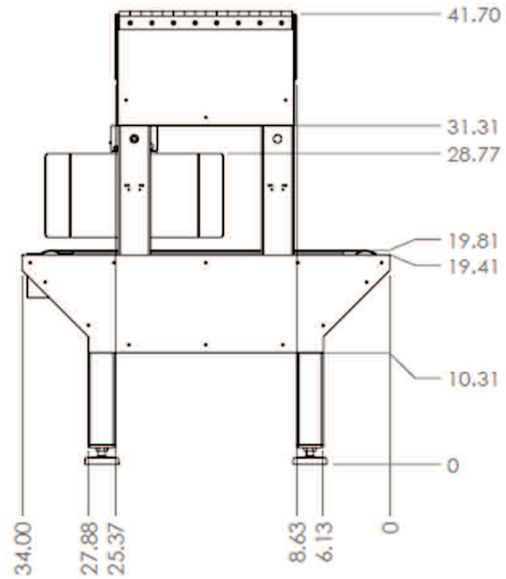
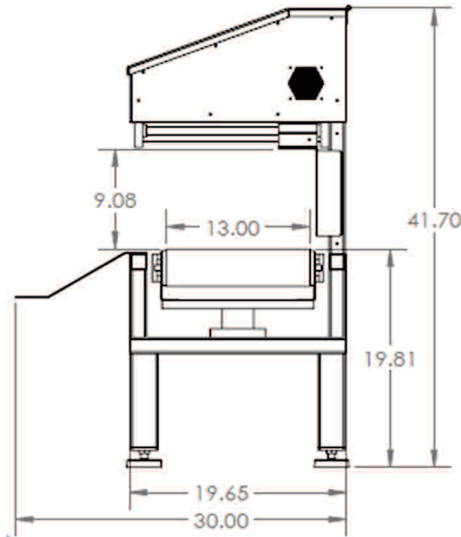
The CW-1 can weigh up to 35 bags per minute.



Technical Data and Dimensions

CW-1

- Static Checkweigher
- Stainless Steel unit
- Up to 10lb bags
- Up to 35 bags per minute
- Accurate to within $\pm .01$ lbs
- Data logging capable
- Small footprint
- FDA approved belting
- 8 customizable programs
- Every bag checked for weight
- Back to back designs available
- Fully customizable



	A	B	C	D	E	F	G	H	I	J	K	L
1												
2												
3												
4												
5	Date Stamp	Time Stamp	Accepted	Reject High	Reject Low	Bag#	Machine#	Calibrated	Actual Weight	Minimum Weight	Maximum Weight	Overages
6	TOTALS:		118	0	0	118			3.781008475	3.616949153	4.216949153	19.35901317
7												
8	1/1/2000	3:42:11	1	0	0	1	1	1	2.129	2.1	2.7	0.02900005
9	1/1/2000	3:42:24	1	0	0	2	1	0	2.131	2.1	2.7	0.03100014
10	1/1/2000	3:42:30	1	0	0	3	1	0	2.132	2.1	2.7	0.03200007
11	1/1/2000	3:42:36	1	0	0	4	1	0	2.129	2.1	2.7	0.02900005
12	1/1/2000	3:42:42	1	0	0	5	1	0	2.134	2.1	2.7	0.03400016
13	1/1/2000	3:42:48	1	0	0	6	1	0	2.135	2.1	2.7	0.03500009
14	1/1/2000	3:42:55	1	0	0	7	1	0	2.133	2.1	2.7	0.03299999
15	1/1/2000	3:43:02	1	0	0	8	1	0	2.136	2.1	2.7	0.03600001
16	1/1/2000	3:43:08	1	0	0	9	1	0	2.135	2.1	2.7	0.03500009
17	1/1/2000	3:43:14	1	0	0	10	1	0	2.132	2.1	2.7	0.03200007
18	1/1/2000	3:43:20	1	0	0	11	1	0	2.135	2.1	2.7	0.03500009
19	1/1/2000	3:43:25	1	0	0	12	1	0	2.135	2.1	2.7	0.03500009
20	1/1/2000	3:43:30	1	0	0	13	1	0	2.133	2.1	2.7	0.03299999
21	1/1/2000	3:43:36	1	0	0	14	1	0	2.135	2.1	2.7	0.03500009

Data logging is available with the CW-1 model. Our program keeps a record of every weighed bag of product and records the results in a report. This report can be used to maximize production, while minimizing over weight and under weight errors. This advantage will prove useful in the many hectic months of the packaging season.

Daumar Corporation

12395 S.W. 130 Street | Suite 106
 Miami, FL 33186 | U.S.A.
 Tel: 305.234.5668
 Fax: 305.234.2928
 www.daumar.com

